

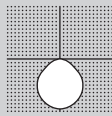
# LENO 4.0

## 24" GRID



### PERFORMANCE

- 120V / 277V Universal
- Up to 138lm/W
- CRI > 80 & CRI > 90
- Zero plenum lights
- Damp & Dry Rated



### 9/16" GRID

ARMSTRONG®  
SILHOUETTE®



ARMSTRONG®  
SUPRAFINE®

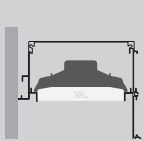


ARMSTRONG®  
INTERLUDE®

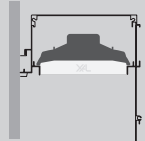


### THIRD PARTY KITS

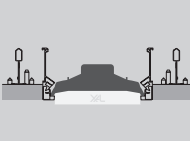
ARMSTRONG®  
AXIOM® 4" COVE



ARMSTRONG®  
AXIOM® 6" COVE



ARMSTRONG®  
DRYWALL KIT

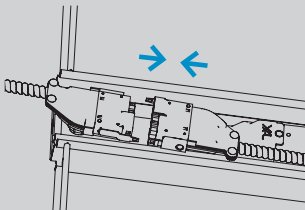


\*Contact your ARMSTRONG® Ceilings rep for availability

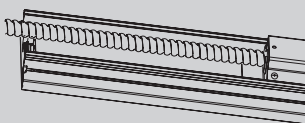
### QUICK AND EASY MOUNTING

patented snap-in mounting

### PLUG-AND-PLAY THROUGH-WIRE



### WHIP - INDIVIDUAL SECTION



[link to page](#)

### Catalog Number Example

LENO-WP-OP-30K-C80-UNV-LDE1-0475LF-ST-4FT-CCEA

### A RANGE

LENO 4.0 LENO

### B CEILING SYSTEM

Armstrong 9/16" Grid \*

\*compatible with Armstrong 9/16" grid only

### C WHIP / THROUGH-WIRE

Whip 6' WP  
Plug and play through-wire P P  
not available for 2ft single and CCEA fixtures

### D LENS

HP opal cover OP

### E CCT

3000K 3 0 K  
3500K 3 5 K  
4000K 4 0 K

### F CRI

CRI > 80 C 8 0  
CRI > 90 C 9 0

### G VOLTAGE

120V / 277V UNV

### H DIMMING

0-10V 1% 0 1 0 V  
Lutron EcoSystem L D E 1  
Quantum, Vive, GRAFIK Eye,  
HomeWorks  
Power over ethernet P O E C  
consult customer service for compatibility

### I OUTPUT LM/FT DIRECT

475 lm/ft 0 4 7 5 L F  
695 lm/ft 0 6 9 5 L F  
905 lm/ft 0 9 0 5 L F

### J CIRCUIT / EM

Single circuit \*  
EMP # of EM packs E M #  
EM battery pack only for 120 / 277 V, in  
4 ft increments  
\*leave blank

### K SHAPE / PATTERN

Linear / straight S T

### L DIMENSIONS IN FT

2' fixture 2 F T  
4' fixture 4 F T  
6' fixture 6 F T  
8' fixture 8 F T  
10' continuous run 1 0 F T  
12' continuous run 1 2 F T  
14' continuous run 1 4 F T  
16' continuous run 1 6 F T  
18' continuous run 1 8 F T  
20' continuous run 2 0 F T  
24' continuous run 2 4 F T

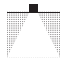
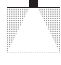
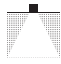
Go to [www.xalusa.com/leno](http://www.xalusa.com/leno)

### M CERTIFICATION (optional)

Chicago Plenum C C E A


**BASO**  
basolighting.com  
xalusa.com

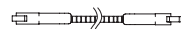
## Technical data

	SIZE TYPE	LED COLOR TEMPERATURE	INPUT WATTS	DELIVERED LM TOTAL	LIGHT DISTRIBUTION	DELIVERED LUMEN DIRECT	OPTICAL EFFICIENCY	LUMINAIRE EFFICACY
<b>LENO 4.0 24" GRID whip</b>								
e LED	2' opal	40K	8 W	1010 lm	100% down	1010 lm	80%	122 lm/W
	4' opal		15 W	2020 lm		2020 lm		138 lm/W
	6' opal		22 W	3030 lm		3030 lm		138 lm/W
	8' opal		29 W	4040 lm		4030 lm		138 lm/W
e <sup>2</sup> LED	2' opal	40K	12 W	1480 lm	100% down	1480 lm	80%	118 lm/W
	4' opal		22 W	2960 lm		2950 lm		134 lm/W
	6' opal		33 W	4440 lm		4430 lm		134 lm/W
	8' opal		44 W	5920 lm		5910 lm		134 lm/W
e <sup>2+</sup> LED	2' opal	40K	15 W	1930 lm	100% down	1920 lm	80%	130 lm/W
	4' opal		30 W	3850 lm		3850 lm		130 lm/W
	6' opal		44 W	5780 lm		5770 lm		130 lm/W
	8' opal		59 W	7700 lm		7700 lm		130 lm/W

for 30K or 35K multiply lm value by 0.96

## Accessories

POWER FEEDER	CODE
4 ft 	LENO P07040

CONNECTOR CABLE	CODE
4 ft 	LENO C07040
8 ft	LENO C07080

WHITE BLANK AXIOM COVER	CODE
4' long blank cover (for Armstrong AXIOM cove system) contact Armstrong for AXIOM channels, endcaps and clips	LENO 0B7040

WHITE BLANK DRYWALL COVER	CODE
4' long blank cover (for Armstrong DRYWALL KIT) contact Armstrong for channels, endcaps and clips	LENO 0B7040

LENO RELEASE TOOL	CODE
LENO releasing tool for Armstrong grid ceilings	LENO R00700

HURRICANE BRACKET	CODE
For ceiling requiring two separate mounting points	LENO H00000

ARMSTRONG CONNECTOR BRACKET	CODE
Armstrong lighting connector bracket (LCB4) please contact your Armstrong rep	visit <a href="http://armstrong.com">armstrong.com</a>

## Dimensions

LENO 4.0 24" GRID / 4.0 30" GRID



Armstrong® Silhouette®  
XL 1/16" bolt slot grid

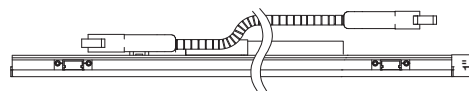


Armstrong® Suprafine®  
XL 1/16" flat T-grid

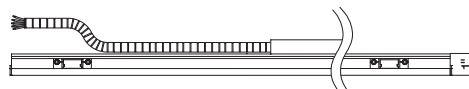


Armstrong®  
Interlude® XL HRC

## THROUGH WIRE SYSTEM FIXTURE



## WHIP FIXTURE



## Grid ceiling

XAL LENO is only approved for Armstrong® 1/16" Suprafine®, Silhouette®, Interlude®, AXIOM® cove, drywall and TechZone® ceiling systems.

Armstrong® lighting connector brackets make installation quick and easy with no independent suspension required. The brackets must be installed at every LENO location along the ACT ceiling (see drawings in the technical data section).

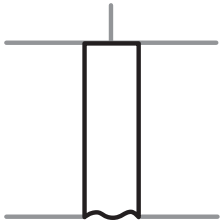
Approved for seismic D, E, F installations.

## Plug and Play Through-Wire System

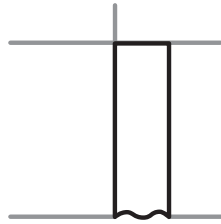
The electrical wiring system saves 30–50% of total wiring installation costs and significantly reduces installation time compared to hard-wired methods.

**DIMENSIONS**

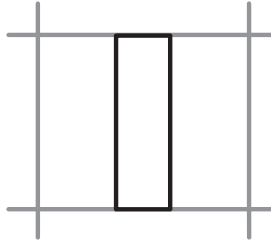
**Four installation types**



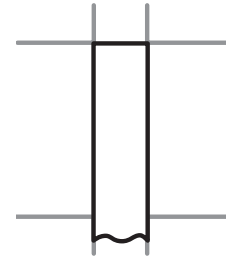
on-center



offset



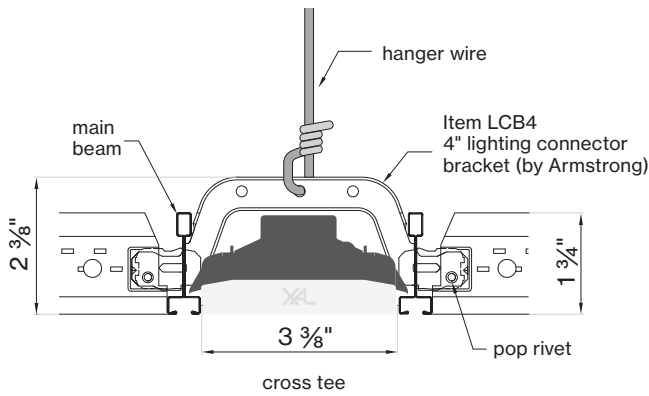
middle



4" TechZone

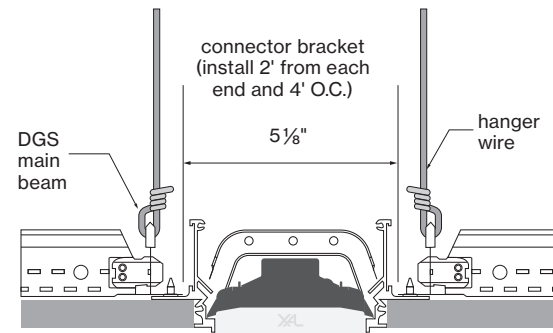
**ARMSTRONG® Ceilings Integration**

**ACT ceiling**



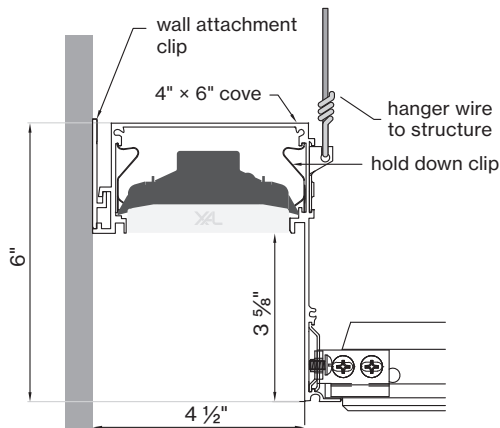
**Third Party Drywall Kit**

**Drywall kit**

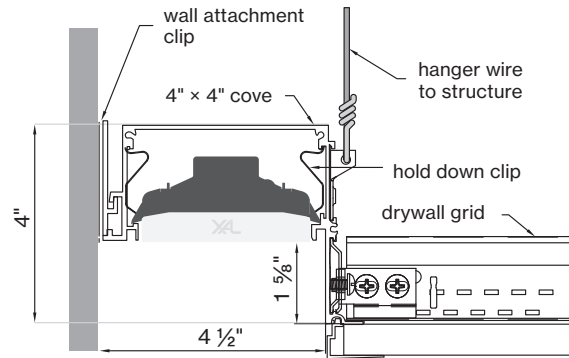


*\*contact your ARMSTRONG® Ceilings rep for availability*

**4" x 4" AXIOM® cove kit**

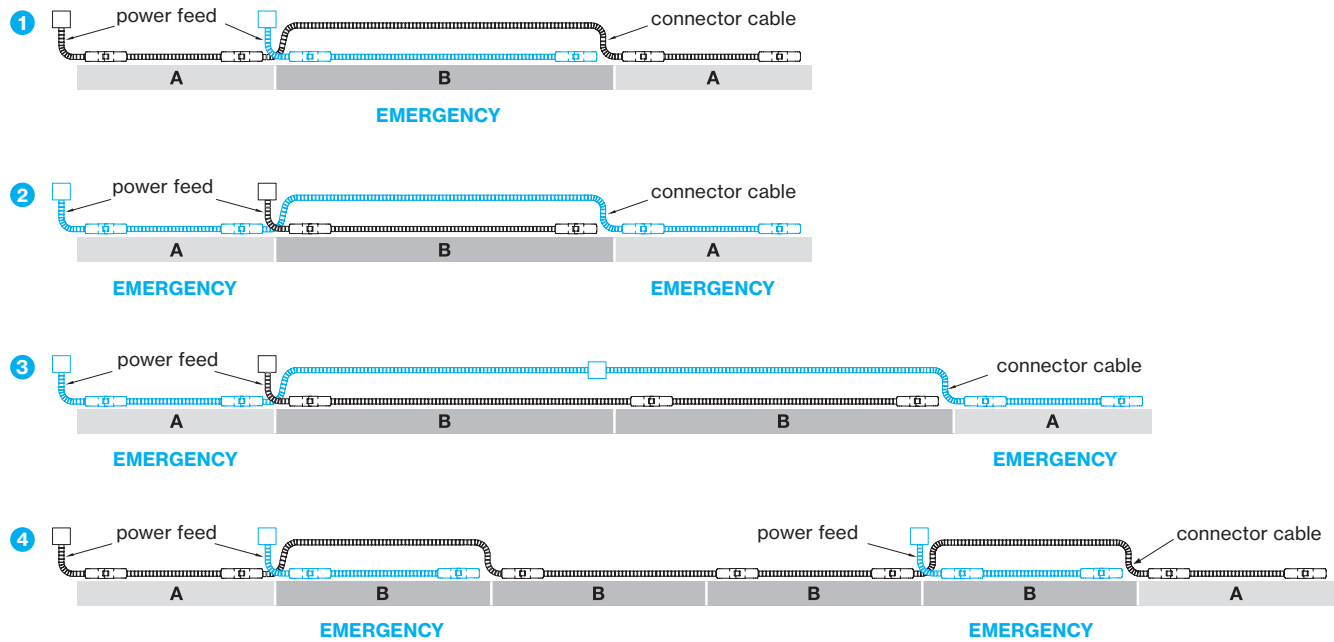


**4" x 6" AXIOM® cove kit**

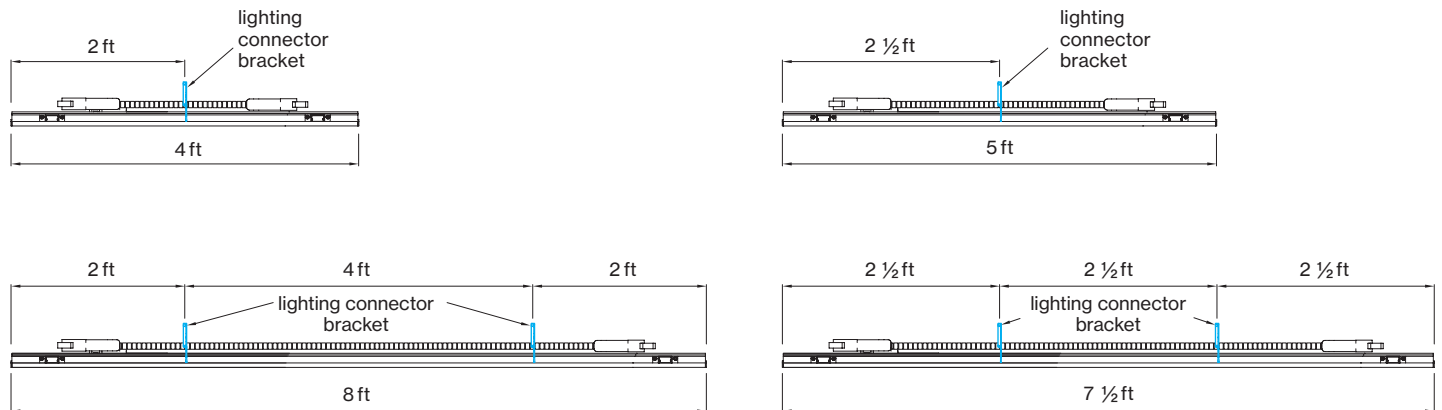


*\*contact your ARMSTRONG® Ceilings rep for availability*

### LENO wiring for EM circuit or NL/EM circuit



### Lighting connector bracket position



### LENO mounting instructions

Get access to LENO mounting instructions faster by scanning the QR code.



[www.xalusa.com/resources/mounting-instructions/leno](http://www.xalusa.com/resources/mounting-instructions/leno)